

JB Jointing Supplies



Products - Consultancy - Installations - Testing - Commissioning

HELPING YOU CONNECT THE FUTURE!

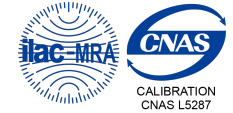


2019.01
Catalogue

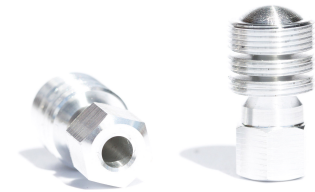




Fully Separable Connectors



JB Jointing Supplies – 100+ yrs Collective HV experience. Setting the standards higher for cable accessories, Helping you connect the future!



Complete range of IEC 60502 - Fully Separable Connectors.

Suitable For: Copper (Cu)/ Aluminium (Al) Conductors

Suitable For: Cross-linked polyethylene insulation (XLPE) insulated cables & Ethylene propylene rubber (EPR) insulated cables.

Our innovative three size shear bolt design & install rulers with every kit makes for quick and easy installation.

Saving critical time on those critical jobs!

MV JUNCTION BOX

- ✓ Quality IEC Products
- ✓ 5yr Product Warranty
- ✓ Experienced Consultancy
- ✓ Prompt Service
- ⚡ 3rd Generation in the HV Industry
- ✓ Smooth Installations
- ✓ Certified Testing
- ✓ Professional Commissioning
- ✓ Competitive Prices
- ⚡ 100+ Yrs Collective HV Experience

MV JUNCTION BOX



- Branch-off & inline connections in windfarms and distribution grids
- Monitoring and detection of voltage
- Compatible with
 - Screened Elbow Connectors JB-11-SE to JB-33-SE
 - Screened Rear Connectors JB-11-RC to JB-33-RC
 - Surge Arresters JB-11-SA to JB-33-SA
- Fulfils technical requirements:
 - HD.629.1 S2:2006 +A1:2008 Table 7 and short circuit test
 - IP66 test degree of protection with integrated bottom plate
 - **CENELEC standards**
EN 50180:2010 and
EN 50181:2010.

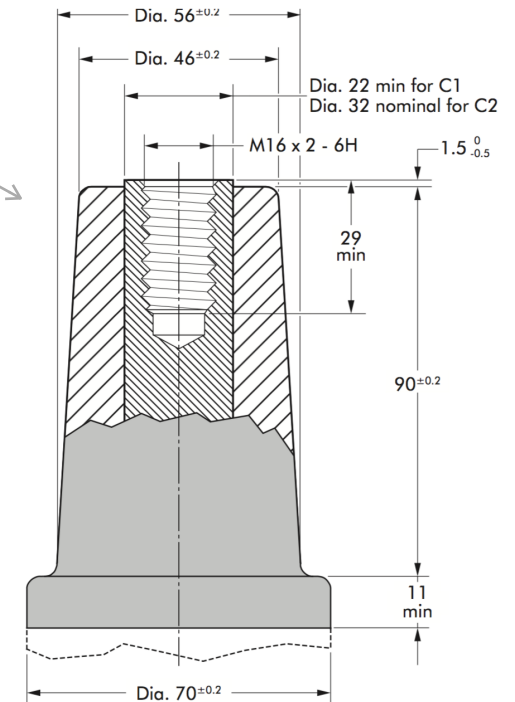
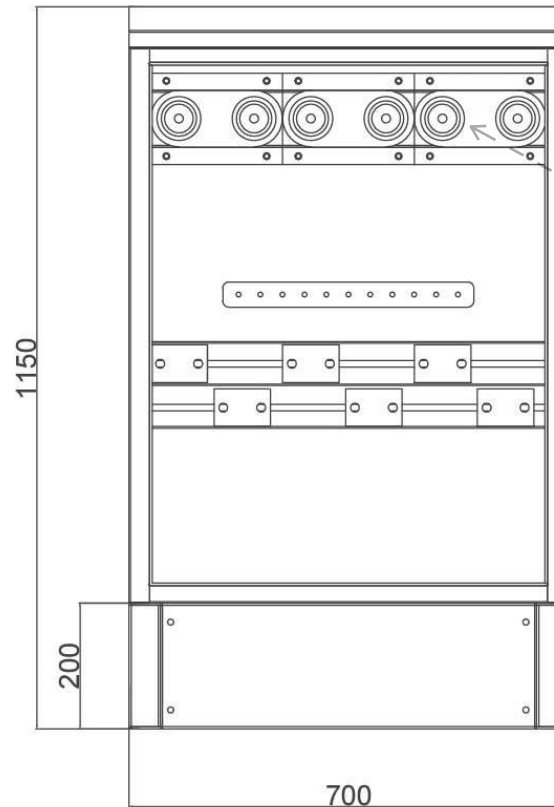


MV JUNCTION BOX

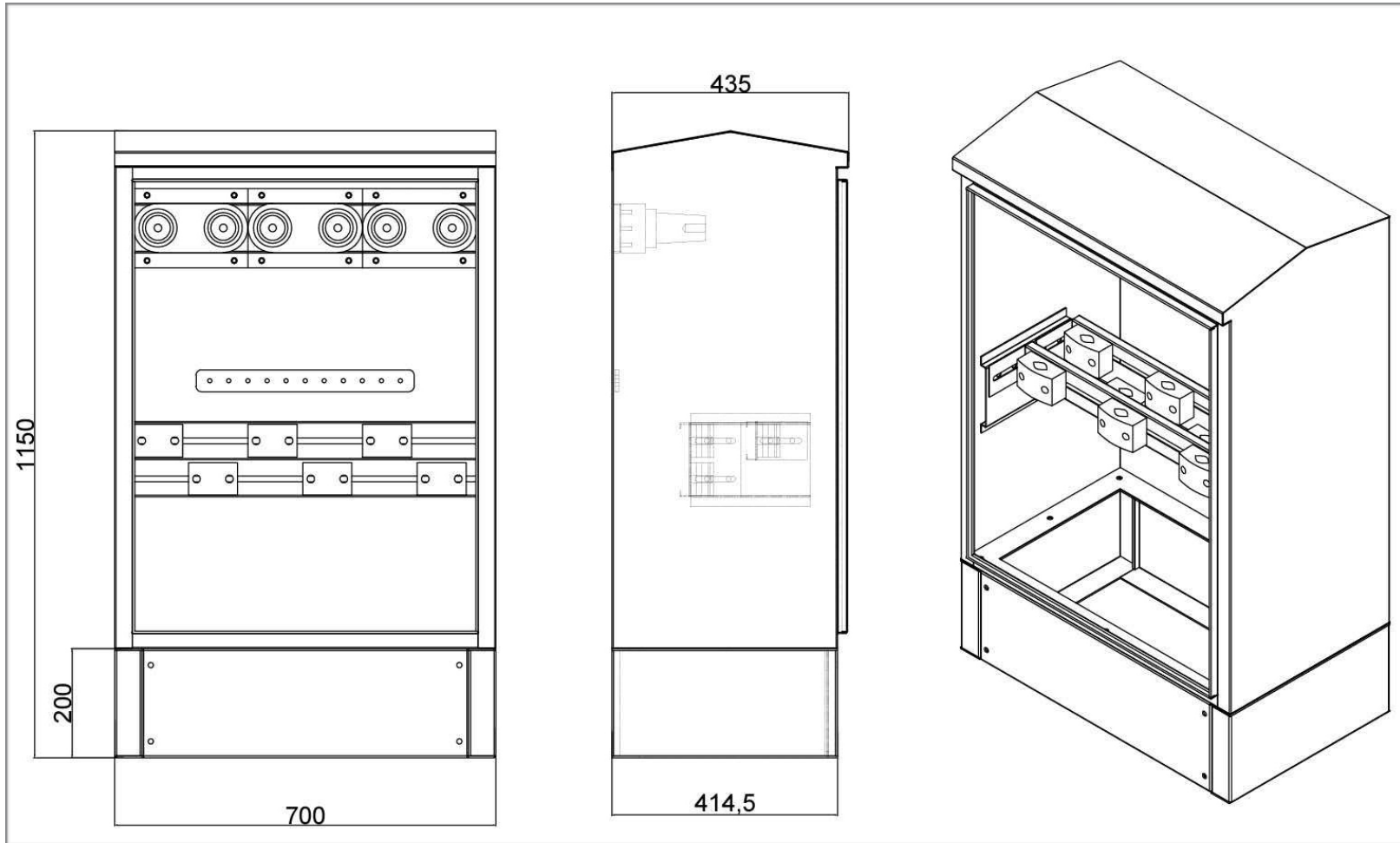


Key Features

- Branching/Junction point for cross section combinations from 25 to 1000 mm²
- Facilitates safe, quick and easy connection and disconnection of MV cables, cable accessories up to 36 kV
- Full metal encapsulation
- Easy accessibility to the capacitive test points
- Secured against water and dust ingress
- Safe two-point door locking system
- Bushing Interface C1 & C2
(CENELEC standards EN 50180:2010 and EN 50181:2010)



MV JUNCTION BOX



Dimensions

Height: 1150 mm

Width: 700 mm

Depth: 435 mm



For more information please call.

+61 447 744 713
Jonathan Viney
Director

JB Jointing Supplies Pty Ltd. Head Office, Brisbane, Australia. Location: U6/54 Nealdon Dr.

